



MM-B375P CARBATEC BENCHTOP CHISEL MORTICER

INSTRUCTIONS MANUAL

carbatec.com.au

V2

carbatec®

2 YEAR
WARRANTY

THANK YOU FOR CHOOSING carbatec®

Carbatec has been a trusted brand for woodworking enthusiasts and professionals across Australia and New Zealand, since 1987.

Our quality woodworking products are designed and built to offer value and performance, making the latest features and technological advancements more accessible to Aussie woodworkers.

Backed by our no-fuss after-sales care and warranty support, you can trust Carbatec to keep you woodworking, as promised.

We look forward to sharing in your woodworking journey!

If you have any questions about our products or service, please call us on **1800 658 111** or email us at info@carbatec.com.au

Find us on social media



facebook.com/Carbatec



instagram.com/Carbatec



youtube.com/CarbatecTheHomeOfWoodworking

WHAT'S IN THE BOX

The following items are provided in 1 carton.



- | | |
|---|---------------|
| A. Pre-assembled chisel mortiser | E. Chuck key |
| B. Hand lever | F. Chisel |
| C. Lateral travel stop and handles | G. Allen keys |
| D. Handle for lateral adjustment of table | |

MM-B375P BENCHTOP CHISEL MORTISER

1. Remove parts from all of the cartons and lay them on a clean work surface.
2. Remove any protective materials and coatings from all of the parts of the cyclone dust extractor. The protective coatings can be removed by spraying WD-40 on them and wiping it off with a soft cloth. This may need to be redone several times before all of the protective coatings are removed completely.
3. Compare the items above to verify that all items are accounted for before discarding the shipping box.

! CAUTION

DO NOT use acetone, gasoline or lacquer thinner to remove any protective coatings.

NOTICE

If you cannot find an item on this list, carefully check around and inside the machine and packaging materials. Often, these items get lost in packaging materials while unpacking or they are pre-installed at the factory.

IMPORTANT


Key information can be found on the inspection panel, found on the rear of the machine.

4

carbatec
QUALITY INSPECTED

| |
|-------------|
| Model: |
| Voltage |
| Freq: |
| Phase: |
| Amp: |
| kW: |
| Speed: |
| Lot No.: |
| Serial No.: |
| Date: |

Made for
CARBATEC PTY LTD
Brisbane - Australia



Record the serial number and date of purchase in your manual for future reference.

SERIAL NUMBER:

.....

DATE OF PURCHASE:

.....

CONTENTS

| | |
|--|--------------|
| Introduction | 2 |
| What's in the box | 3 |
| Key information | 4 |
| Safety instructions - General | 6–9 |
| Safety instructions - Chisel Mortiser | 9–10 |
| Safety instructions - Electrical | 11 |
| Overview | 12 |
| Specifications | 13 |
| Assembly | 14–19 |
| Operation | 20–21 |
| Maintenance | 22 |
| Troubleshooting | 23–24 |
| Wiring diagram | 24 |
| Parts diagrams/Parts list | 25–26 |
| Warranty | 27 |

NOTE: The specifications, photographs, drawings and information in this manual represent the current machine model when the manual was prepared. Changes and improvements may be made at any time, with no obligation on the part of Carbatec to modify previously delivered units. Reasonable care has been taken to ensure that the information in this manual is correct, to provide you with the guidelines for the proper safety, assembly and operation of this machine.

SAFETY INSTRUCTIONS

IMPORTANT! Safety is the single most important consideration in the operation of this equipment. The following instructions must be followed at all times. Failure to follow all instructions listed below may result in electric shock, fire, and/or serious personal injury. There are certain applications for which this tool was designed. We strongly recommend that this tool not be modified and/or used for any other application other than that for which it was designed. If you have any questions about its application, do not use the tool until you have contacted us and we have advised you.

The purpose of safety symbols is to attract your attention to possible dangers. The safety symbols and the explanations with them deserve your careful attention and understanding. The symbol warnings do not, by themselves, eliminate any danger. The instructions and warnings they give are no substitutes for proper accident prevention measures.

WARNING

Be sure to read and understand all safety instructions in this manual, including all safety alert symbols such as "DANGER," "WARNING," and "CAUTION" before using this tool. Failure to following all instructions listed below may result in electric shock, fire, and/or serious personal injury.

SYMBOL MEANING



A safety alert symbol Indicates **DANGER**, **WARNING**, or **CAUTION**. May be used in conjunction with other symbols or pictographs.



DANGER

Indicates an imminently hazardous situation, which, if not avoided, will result in death or serious injury.



WARNING

Indicates a potentially hazardous situation, which, if not avoided, could result in death or serious injury.



CAUTION

Indicates a potentially hazardous situation, which, if not avoided, could result in minor or moderate injury.

NOTICE

(Without Safety Alert Symbol) Indicates a situation that may result in property damage.



Carbatec products bearing the Regulatory Compliance Mark (RCM) have been tested in accordance with applicable Australian/New Zealand Standards to ensure their compliance with all mandatory standards and regulations (applicable at time of original sale). Carbatec Pty Ltd are registered as a responsible supplier with relevant Australian government departments and our products are registered on the EESS & ACMA database.

GENERAL SAFETY

Operating a power tool can be dangerous if safety and common sense are ignored. The operator must be familiar with the operation of this machine. Read this manual to understand this machine. **DO NOT OPERATE** this machine **IF YOU DO NOT FULLY UNDERSTAND** the limitations of this tool. **DO NOT MODIFY** this machine in any way.

BEFORE USING THIS MACHINE

WARNING

To avoid serious injury and damage to the tool, read and follow all of the Safety and Operating Instructions before operating the machine.

WARNING

- SOME DUST CREATED BY USING POWER TOOLS CONTAINS CHEMICALS** known to cause cancer, birth defects, or other reproductive harm. Some examples of these chemicals are:
 - Lead from lead-based paints.
 - Crystalline silica from bricks, cement, and other masonry products.
 - Arsenic and chromium from chemically treated lumber

Your risk from these exposures varies, depending on how often you do this type of work. To reduce your exposure to these chemicals: work in a well ventilated area and work with approved safety equipment, such as those dust masks that are specially designed to filter out microscopic particles.

- READ** this entire manual. **LEARN** how to use the tool for its intended applications.

- GROUND ALL TOOLS.** If the tool is supplied with a 3-prong plug, it must be plugged into a 3-contact electrical receptacle. The third prong is used to ground the tool and provide protection against accidental electric shock.
- AVOID A DANGEROUS WORKING ENVIRONMENT.** Do not use electrical tools in a damp environment or expose them to rain.
- DO NOT USE** electrical tools in the presence of **FLAMMABLE** liquids or gases.
- ALWAYS KEEP THE AREA CLEAN,** well lit, and organized. Do not work in an environment with floor surfaces that are slippery from debris, grease, and wax.
- KEEP VISITORS AND CHILDREN AWAY.** Do not permit people to be in the immediate work area, especially when the electrical tool is operating.
- DO NOT FORCE THE TOOL** to perform an operation for which it was not designed. It will do a safer and higher quality job by only performing operations for which the tool was intended.
- WEAR PROPER CLOTHING.** Do not wear loose clothing, gloves, neckties, or jewellery. These items can get caught in the machine during operations and pull the operator into the moving parts. The user must wear a protective cover on their hair, if hair is long, to prevent it from contacting any moving parts.
- CHILDPROOF THE WORKSHOP AREA** by removing switch keys, unplugging tools from the electrical receptacles, and using padlocks.

GENERAL SAFETY

- 11. ALWAYS UNPLUG THE TOOL FROM THE ELECTRICAL RECEPTACLE**
when making adjustments, changing parts or performing any maintenance.
- 12. KEEP PROTECTIVE GUARDS IN PLACE AND IN WORKING ORDER.**
- 13. AVOID ACCIDENTAL STARTING.** Make sure that the power switch is in the "OFF" position before plugging in the power cord to the electrical receptacle.
- 14. REMOVE ALL MAINTENANCE TOOLS** from the immediate area prior to turning "ON" the machine.
- 15. USE ONLY RECOMMENDED ACCESSORIES.** Use of incorrect or improper accessories could cause serious injury to the operator and cause damage to the tool. If in doubt, check the instruction manual that comes with that particular accessory.
- 16. NEVER LEAVE A RUNNING TOOL UNATTENDED.** Turn the power switch to the "OFF" position. Do not leave the tool until it has come to a complete stop.
- 17. DO NOT STAND ON A TOOL.** Serious injury could result if the tool tips over, or you accidentally contact the tool.
- 18. DO NOT STORE ANYTHING ABOVE OR NEAR** the tool where anyone might try to stand on the tool to reach it.
- 19. MAINTAIN YOUR BALANCE.** Do not extend yourself over the tool. Wear oil resistant rubber soled shoes. Keep floor clear of debris, grease, and wax.
- 20. MAINTAIN TOOLS WITH CARE.** Always keep tools clean and in good working order. Keep all blades and tool bits sharp, dress grinding wheels and change other abrasive accessories when worn.
- 21. EACH AND EVERY TIME, CHECK FOR DAMAGED PARTS PRIOR TO USING THE TOOL.** Carefully check all guards to see that they operate properly, are not damaged, and perform their intended functions. Check for alignment, binding or breaking of moving parts. A guard or other part that is damaged should be immediately repaired or replaced.
- 22. DO NOT OPERATE TOOL WHILE TIRED, OR UNDER THE INFLUENCE OF DRUGS, MEDICATION OR ALCOHOL.**
- 23. SECURE ALL WORK.** Use clamps or jigs to secure the work piece. This is safer than attempting to hold the work piece with your hands.
- 24. STAY ALERT, WATCH WHAT YOU ARE DOING, AND USE COMMON SENSE WHEN OPERATING A POWER TOOL.** A moment of inattention while operating power tools may result in serious personal injury.

- 25. ALWAYS WEAR A DUST MASK TO PREVENT INHALING DANGEROUS DUST OR AIRBORNE PARTICLES,** including wood dust, crystalline silica dust and asbestos dust. Direct particles away from face and body. Always operate tool in well ventilated area and provide for proper dust removal. Use dust extraction system wherever possible. Exposure to dust may cause serious and permanent respiratory or other injury, including silicosis (a serious lung disease), cancer, and death. Avoid breathing dust, and avoid prolonged contact with dust. Allowing dust to get into your mouth or eyes, or lay on your skin may promote absorption of harmful material. Always use properly fitting AS/NZS approved respiratory protection appropriate for the dust exposure, and wash exposed areas with soap and water.
- 26. USE A PROPER EXTENSION CORD IN GOOD CONDITION.** Use of extension cords should be avoided where possible. When using an extension cord, be sure to have a cord heavy enough to carry the current your product will draw, and with compatible pin configuration and connections. NEVER use an extension cord rated at less than your machine. Longer run extensions will need heavier duty extension cords. Only connect your extension cord or machine to a receptacle that accepts your plug and never modify your plug to suit a receptacle.

CHISEL MORTISER SAFETY



WARNING

You can be seriously injured or killed by getting clothing, jewellery, or long hair entangled with the chisel. Your fingers can be severely cut or amputated by the chisel. You can be blinded or hurt by flying wood chips, broken cutting tools, workpieces, or adjustment tools that can be thrown from the spinning chuck with great force. To reduce your risk of serious injury when operating this machine, completely heed and understand the following:

HAND PROTECTION

Do not place your hands under or near chisel while spindle is in motion. Chisels are sharp and may become hot during operation! Allow chisels to cool before handling. Always use caution when

handling, especially when installing or removing. Do not wear gloves while machine is operating. They may become entangled in the chisel.

USING CORRECT MATERIALS

Mortising materials such as metals, plastics, and glass can result in serious personal injury and machine damage. Do not use machine for anything except mortising in wood. Do not attempt to mortise material that does not have a flat surface unless a suitable support is used.

CHISEL COMPATIBILITY

Mortising chisels can fly out of chuck at operator if not properly secured, causing serious personal injury. Ensure mortising chisel is installed a minimum of 1/2" into chuck.

CHISEL MORTISER SAFETY

INSPECT CUTTING TOOLS

Inspect chisels and augers for sharpness, chips, or cracks before each use. Replace dull, chipped, or cracked cutting tools immediately.

INSPECT MACHINE

Loose chisels and augers can be ejected at operator, and headstock can fall if not properly secured, causing serious personal injury. Inspect machine for smooth head casting movement, loose augers/chisels, loose nuts/bolts, and lock levers before connecting machine to power and operating. Correct any problems before use.

SECURE WORKPIECE TO TABLE

Never hold workpiece by hand during operation.

ADJUST DEPTH STOP

Adjust the depth stop to avoid drilling into the table or work bench.

REMOVE CHUCK KEY

Ensure chuck key is removed before starting machine. Do not modify chuck key in any way.

ALWAYS TURN POWER OFF:

- **when the drill bit or chisel is contacting the workpiece**
- **when performing layout, assembly, or setting up work on the table**
- **before removing scrap pieces from the table**
- **before cleaning the table or work area and leaving the machine**

CAUTION

No list of safety guidelines can be complete. Every shop environment is different. Always consider safety first, as it applies to your individual working conditions. Use this and other machinery with caution and respect. Failure to do so could result in serious personal injury, damage to equipment, or poor work results.

ELECTRICAL SAFETY

WARNING

This tool must be grounded while in use to protect the operator from electric shock. IN THE EVENT OF A MALFUNCTION OR BREAKDOWN,

grounding provides the path of least resistance for electric current and reduces the risk of electric shock. This tool may be equipped with an electric cord that has an equipment grounding conductor and a grounding plug. **The plug MUST Be plugged** into a matching electrical receptacle that is properly installed and grounded in accordance with **ALL** local codes and ordinances.

DO NOT MODIFY THE PLUG PROVIDED.

If it will not fit the electrical receptacle, have the proper electrical receptacle installed by a qualified electrician.

IMPROPER ELECTRICAL CONNECTION of the equipment grounding conductor can result in risk of electric shock. The conductor with the green insulation (with or without yellow stripes) is the equipment grounding conductor. **DO NOT** connect the equipment grounding conductor to a live terminal if repair or replacement of the electric cord or plug is necessary.

CHECK WITH A QUALIFIED ELECTRICIAN

or service personnel if you do not completely understand the grounding instructions, or if you are not sure the tool is properly grounded.

Use only a 3-wire extension cord that has a 3-prong grounding plug and a 3-pole receptacle that accepts the tool's plug. Replace a damaged or worn cord immediately.

Power tools and machinery are intended for use on a circuit that has an electrical receptacle as shown in **FIGURE A** that shows a 10 Amp 3-wire electrical plug and corresponding electrical receptacle that has a grounding conductor.

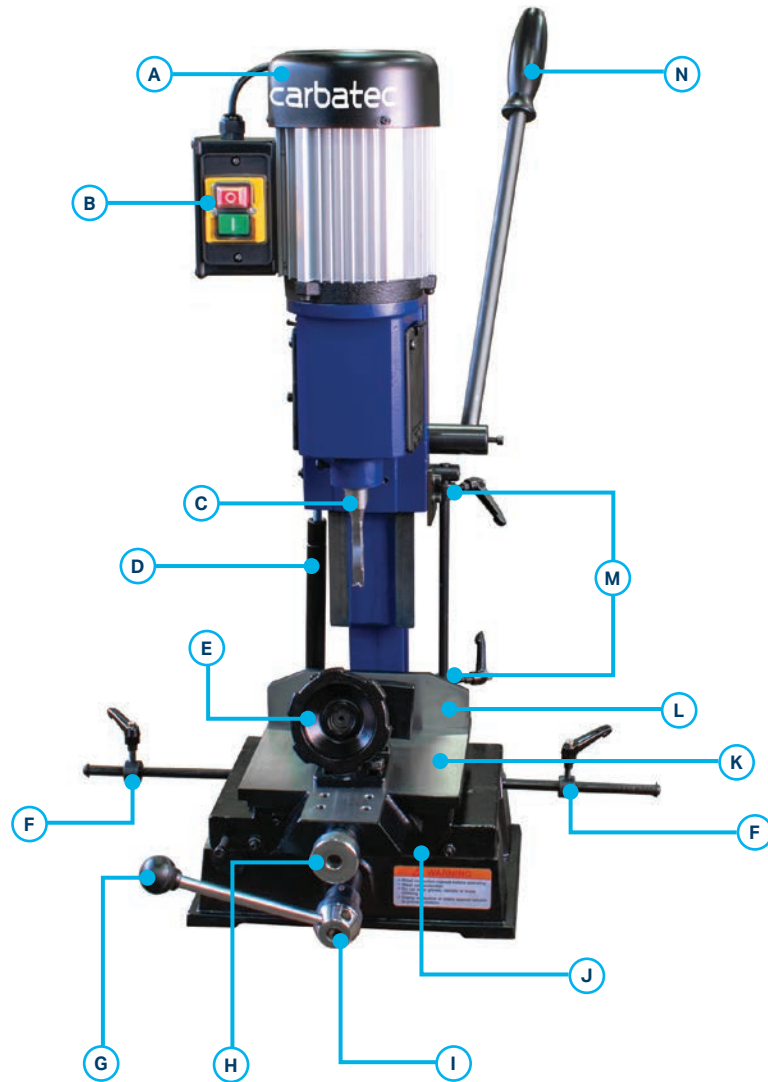
If this particular tool has been designed and fitted with a two prong electrical plug, ensure it displays the 'Double Insulated' logo shown in **FIGURE B**, before connecting to a 3-wire receptacle.

WARNING

Never modify the standard fitted electrical plugs to fit your receptacle.



OVERVIEW



MM-B375P BENCHTOP CHISEL MORTISER

- | | |
|-------------------------|---------------------------------|
| A. Motor | H. Longitudinal adjustment knob |
| B. Switch | I. Lateral adjustment knob |
| C. Chisel | J. Base |
| D. Gas spring | K. Table |
| E. Clamp assembly | L. Fence |
| F. Lateral travel stops | M. Vertical travel stops |
| G. Removable handle | N. Operating handle |

SPECIFICATIONS

| | |
|------------------------------------|--|
| CODE | MM-B375P |
| MOTOR | 375 W (½HP) Induction - regular 10A plug |
| CHUCK TO TABLE MAX. | 130 mm (Max height with supplied chisel) |
| MAXIMUM CHISEL SIZE | 16 mm |
| SHANK SIZE | 19 mm (¾") |
| SPEED | 1400 rpm |
| STROKE | 120 mm |
| WORKSHOP FOOTPRINT (W×D×H) | 450 × 470 × 720 mm |
| TABLE TRAVEL - LATERAL | 170 mm |
| TABLE TRAVEL - LONGITUDINAL | 70 mm |
| WARRANTY PERIOD | 2 years |
| SHIPPING WEIGHT | 42 kg |
| NETT WEIGHT | 40 kg |



ASSEMBLY

- The Carbatec Benchtop Chisel Mortiser comes pre-assembled. Before installing the machine or performing a test run, please remove any packing materials. Before use, the machine must be secured.
- Transport the Benchtop Chisel Mortiser in its packing crate to a place near its final installation site before unpacking it.
- If the packaging shows signs of possible transport damage, take the necessary precautions not to damage the machine when unpacking.
- If any damage is discovered, the carrier and/or shipper must be notified of this fact immediately to establish any claim which might arise.

A. PLACEMENT LOCATION

Consider anticipated workpiece sizes and additional space needed for auxiliary stands, storage, or other machinery when establishing a location for this machine in the shop. Some workbenches or stands may require reinforcement to support the weight of the machine. See dimensions and weights on page 13 , for reference.

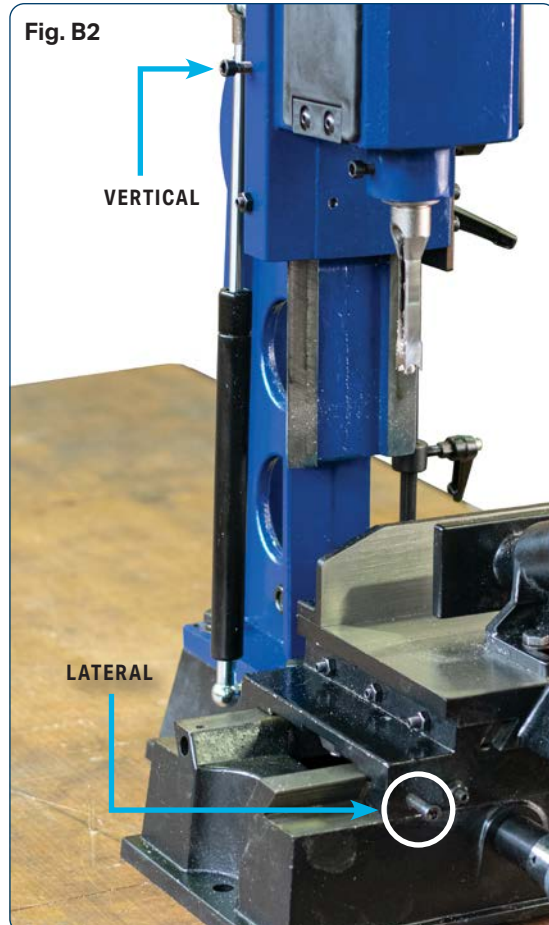
B. MOUNTING ONTO WORKBENCH

1. The Benchtop Chisel Mortiser is designed to be mounted onto a workbench or other surface to prevent it from moving whilst in use. Two mounting holes are provided on the base of the machine to facilitate this.

Fig. B1

2. With the machine mounted, remove the two screws that secure the vertical and lateral tracks. The screws can be completely removed and stored for use if the machine needs to be transported.

Fig. B2



ASSEMBLY

C. RAISING AND LOWERING HANDLE

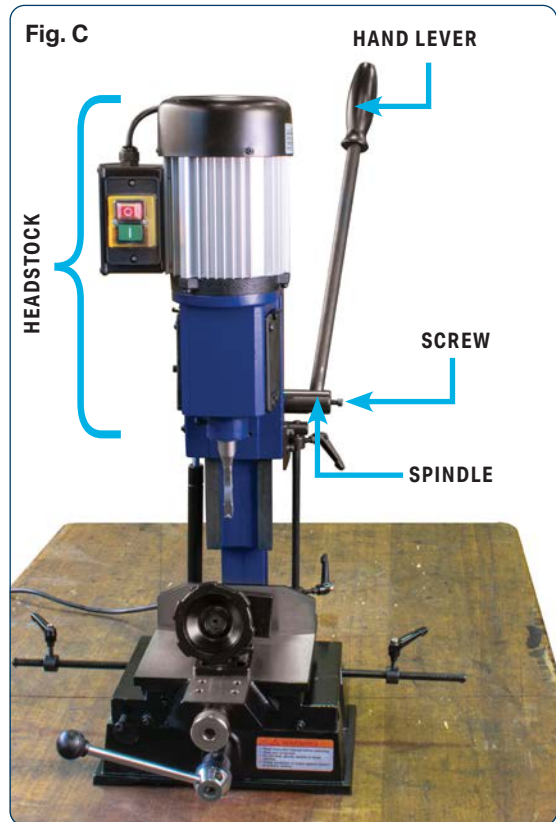
1. Install the hand lever and secure using the included screw. Make sure that handle does not extend beyond bottom of spindle.

Fig. C

2. Pulling the lever towards you moves the headstock towards the workpiece.

Fig. C

3. Release the lever to allow the headstock to return to its upper position.



D. CLAMP ASSEMBLY

1. The clamp assembly can be adjusted to suit different material size ranges by removing the screws, repositioning the workpiece and re-installing the screws.

Fig. D

2. Clamp the workpiece securely in place using the knob.

Fig. D



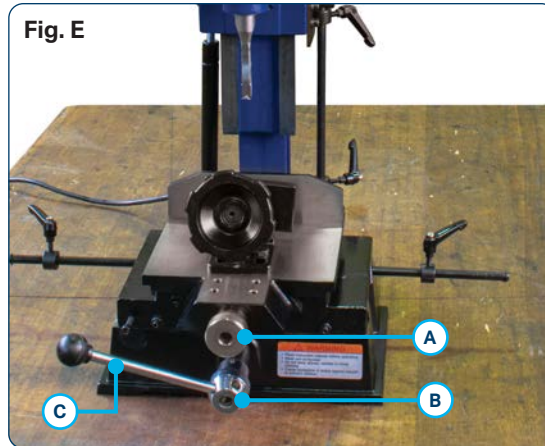
E. ADJUSTING TABLE POSITION

1. Adjusting the upper hand knob (A) moves the table in and out.

Fig. E

2. Adjusting the lower hand knob (B) using removable lever (C) adjusts the table laterally right to left.

Fig. E



F. DEPTH STOP

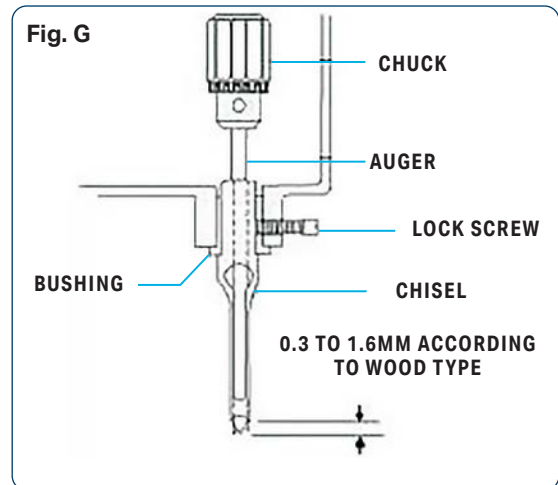
1. Vertical travel stops are provided with quick adjustment handles. Loosen the lower adjustment handle.
- Fig. F**
2. Move the headstock to the desired location and slide the lower stop into position and lock off by tightening the handle. You have now set the depth limit.
 3. Repeat the process to reduce the vertical travel of the headstock when you release the handle.



ASSEMBLY

G. INSTALLING CHISEL & BIT

1. Place board on table to protect chisel and table.
2. Loosen lock screw.
Fig. G
3. Insert chisel bushing into the head. Tighten the screw just enough to hold the chisel in place.
4. Push the chisel up as far as possible into the head. Then lower the chisel approximately 0.8 to 1.6 mm, depending on the type of wood being worked. Tighten the screw to hold chisel in place.
5. Push auger bit up through the chisel opening as far as it will go. Lock the drill bit in place with the chuck key.
6. Loosen screw and push chisel up against the bushing, then tighten screw. This should provide the proper distance between the points of the chisel and the auger.



CAUTION

Chisel and auger are sharp. It is recommended to wear gloves during chisel installation to avoid injury. Remove gloves before powering on the machine.

H. MACHINE TESTING

Once assembly is complete, test run the machine to ensure it is properly connected to power and safety components are functioning correctly. If you find an unusual problem during the test run, immediately stop the machine, disconnect it from power, and fix the problem BEFORE operating the machine again.



DANGER

DO NOT start machine until all preceding setup instructions have been performed.

Operating an improperly set up machine may result in malfunction or unexpected results that can lead to serious injury, death, or machine/property damage.

1. Clear all set-up tools away from the machine
2. Connect the Chisel Mortiser to the power supply.
3. Press ON button to turn the mortiser on, listening that the motor runs smoothly with no unusual noises or vibrations.
4. Press OFF button to turn off the machine.

OPERATION

I. CUTTING A MORTISE

1. Ensure that the power is turned OFF.
2. The chisel and fence need to be square. Adjust as necessary.

Fig. I1

3. On a test piece, lay out the desired mortise.

Fig. I2

4. Position the test piece so that it is flush with the fence.



WARNING

Keep fingers away from the chisel and auger path during operation.

5. Clamp test piece firmly. See section D.
6. The chisel should be aligned with the outline of the mortise. Adjust the table position as necessary. See section E.

Fig. I3

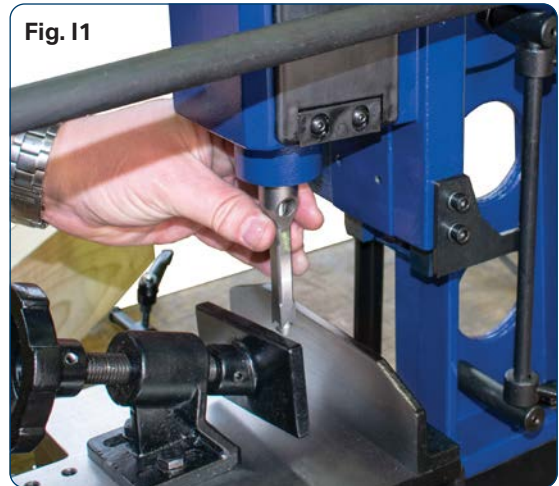
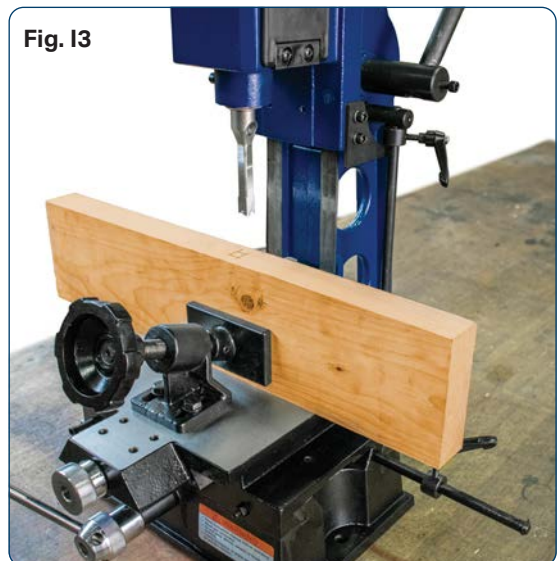


Fig. I2



Fig. I3



7. Turn the power ON and use the hand lever to feed the mortising chisel into the test piece.

Fig. 14

8. When your desired depth is achieved, move the hand lever back into its highest position out of the way, leaving the test piece in place.

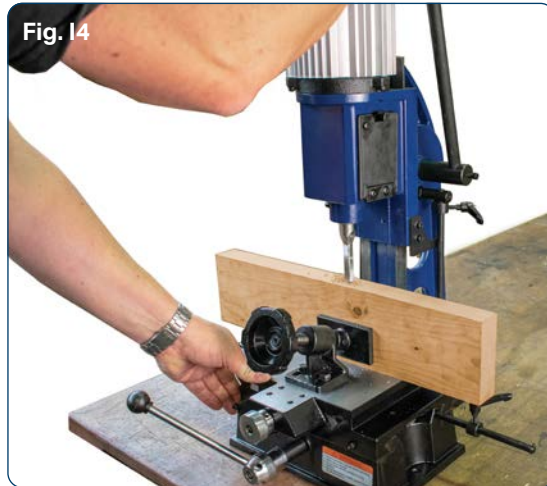
Fig. 15

9. Turn the power OFF.

10. Check the hole placement in the test piece and if necessary, adjust the table position.

Fig. 16

11. Once you are happy with the accuracy and placement of the mortise, repeat these steps on your real workpiece.



MAINTENANCE

J. MAINTENANCE SCHEDULE

The Mortiser requires only minor maintenance, such as cleaning and lubrication and routine adjustment and sharpening of the chisel and bit.

Dust the machine down after each use and, as necessary, use light applications of oil or grease to lubricate linkages, moving parts, etc.

If you ever observe any of the below, shut down the machine immediately and fix the problem before continuing operations:

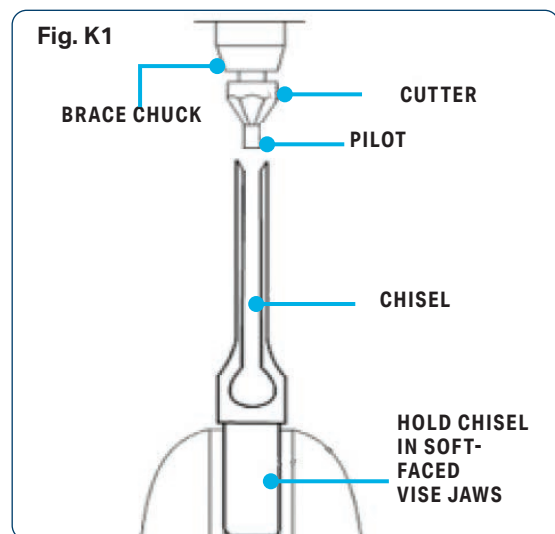
- Loose mounting bolts
- Worn or damaged wires
- Any other unsafe condition

K. SHARPENING CHISEL AND BIT

The chisel and bit should be kept sharp for best performance. Blunt edges will give inaccurate mortises and can lead to overheating and breakage to chisel or bit. If chisel and bit are badly worn and become difficult to sharpen, they should be replaced.

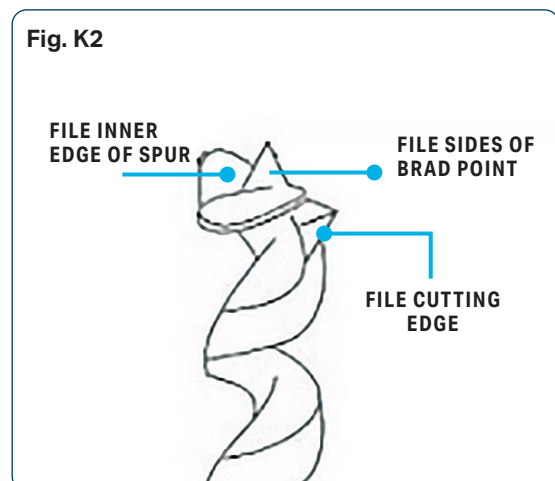
1. Sharpen the chisel with a mortise chisel cutter with the correct size pilot. (Pilot size will differ depending on the size of your chisel). Two or three turns of the cutter in a carpenter's brace chuck should be enough to sharpen the chisel.

Fig. K1.



2. Sharpen the bit by using a small, smooth file, following the original shape of the bit. File the inside edge of the spur, the sides of the brad point, and the cutting-edge inwards toward the flute of the bit. Do not file the outside edge of the spur as this will affect the diameter of the bit.

Fig. K2



TROUBLESHOOTING

TO PREVENT INJURY TO YOURSELF or damage to this benchtop chisel mortiser, turn the switch to the **"OFF"** position and unplug the power cord from the electrical receptacle before making any adjustments.

| PROBLEM | LIKELY CAUSE(S) | SOLUTION(S) |
|---|--|---|
| Machine does not start, or a breaker trips | 1 Incorrect power supply voltage or circuit size. | Ensure correct power supply voltage and circuit size. |
| | 2 Power supply circuit breaker tripped or fuse blown. | Ensure circuit is sized correctly and free of shorts. Reset circuit breaker or replace fuse. |
| | 3 Motor wires connected incorrectly. | Correct motor wiring connections. |
| | 4 Wiring open / has high resistance. | Check/fix broken, disconnected, or corroded wires. |
| | 5 ON/OFF switch at fault. | Replace switch. |
| | 6 Start capacitor at fault. | Test and replace. |
| | 7 Motor brushes at fault. | Remove or replace brushes. |
| | 8 Motor at fault. | Test, repair or replace. |
| Machine stalls or is underpowered. | 1 Machine undersized for task. | Use sharp augers. Reduce feed rate Reduce spindle RPM. |
| | 2 Workpiece material not suitable for machine. | Only cut wood. Ensure moisture is below 20%. |
| | 3 Feed rate or cutting speed too fast. | Decrease feed rate or cutting speed. |
| | 4 Workpiece crooked. Fence loose or misadjusted. | Straighten or replace workpiece. Adjust fence. |
| | 5 Motor wired incorrectly. | Wire motor correctly. |
| | 6 Motor overheated. | Clean motor, let cool, and reduce workload. |
| | 7 Dull chisel or auger. | Sharpen or replace chisel or auger. |
| Difficult to pull lever down during machine operation. | 1 Auger does not protrude enough from end of chisel. | Adjust auger depth. |
| | 2 Chisel or auger is dull. | Sharpen/replace auger and chisel. |
| | 3 Mortising operating handle is not positioned for maximum leverage. | Adjust handle for max. length, and position it so you have max. leverage at most difficult mortising depth. |
| Mortising auger and chisel are extremely noisy, chatter, and smoke* | 1 Auger out of alignment with chisel. | Reinstall chisel in a different position. |
| | 2 Chisel mounting bushing is loose or damaged, causing poor auger-to-chisel alignment. | Replace bushing, using care not to over-tighten chisel-retaining set screw. |
| | 3 Chisel or auger is bent. | Replace chisel and auger as a matched set. |

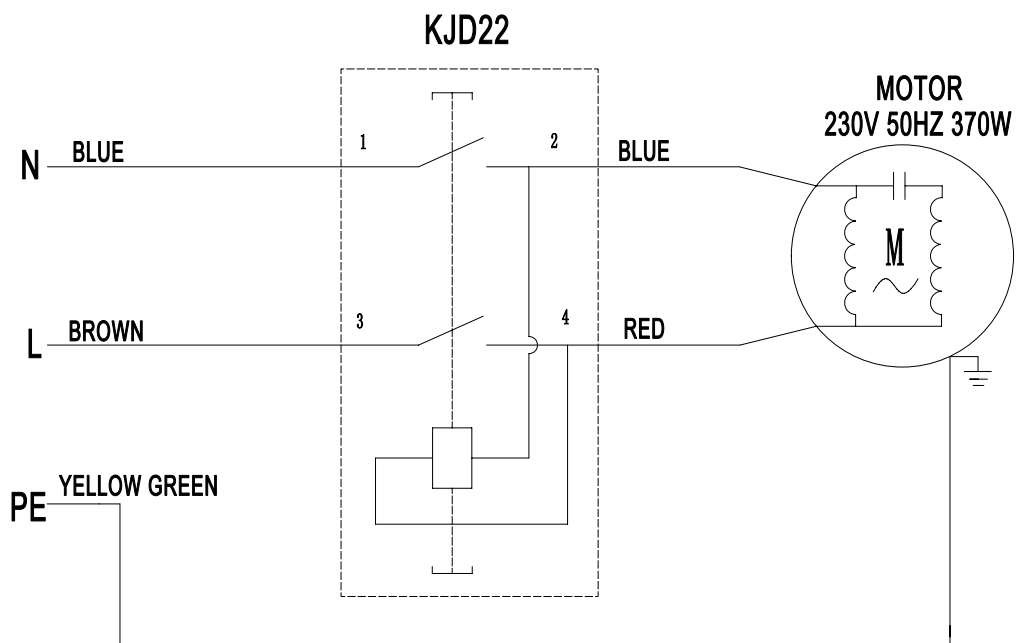
* An average amount of noise and chatter are normal for any mortising machine.

TROUBLESHOOTING

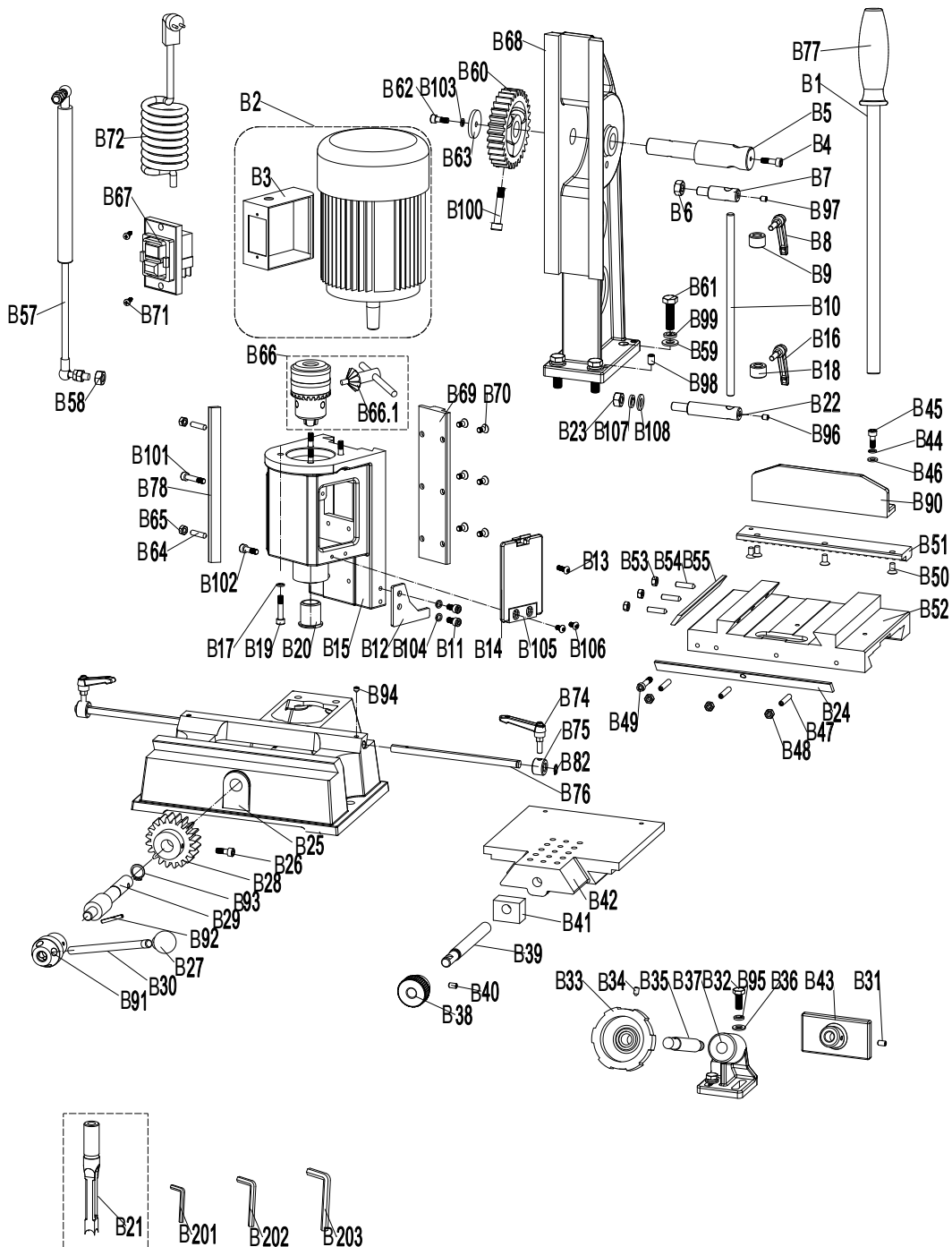
| PROBLEM | LIKELY CAUSE(S) | SOLUTION(S) |
|---|---|--|
| Mortising auger and chisel generate smoke and burn the workpiece. | 1 Auger is dull. | Sharpen or replace auger and chisel. |
| | 2 Drilling pressure is too aggressive and overheats auger. | Adjust auger depth, reduce drilling pressure, clear chips often. |
| | 3 Wood chips load up in chisel and overheat auger. | Apply small amount of bees wax to auger. Face chisel slot sideways. Clear chips often. |
| | 4 Wood is too green, has high moisture content, or is pressure treated. | Only mortise dry, untreated wood. |
| Headstock drops when hand lever is released. | 1 Gas spring at fault. | Replace gas spring |

24

WIRING DIAGRAM



PARTS DIAGRAM



Benchtop Chisel Mortiser
MM-B375P

PARTS LIST

| PART REF. | QTY | DESCRIPTION | PART REF. | QTY | DESCRIPTION | PART REF. | QTY | DESCRIPTION |
|-----------|-----|-------------------|-----------|-----|--------------------|-----------|-----|-------------------|
| B1 | 1 | Operating level | B34 | 1 | Screw | B67 | 1 | Switch |
| B2 | 1 | Motor | B35 | 1 | Lead screw | B68 | 1 | Column |
| B3 | 1 | Switch box | B36 | 2 | Flat washer | B69 | 1 | Rack |
| B4 | 1 | Screw | B37 | 1 | Connecting bend | B70 | 6 | Screw |
| B5 | 1 | Operating shaft | B38 | 1 | Table control knob | B71 | 2 | Screw |
| B6 | 1 | Hex nut | B39 | 1 | Lead screw | B72 | 1 | Plug |
| B7 | 1 | Screw | B40 | 1 | Screw | B74 | 2 | Handle Screw |
| B8 | 1 | Handle screw | B41 | 1 | Nut block | B75 | 2 | Setting collar |
| B9 | 1 | Setting Collar | B42 | 1 | Worktable | B76 | 2 | Distance stop rod |
| B10 | 1 | Guide column | B43 | 1 | Clamp plate | B77 | 1 | Grip sleeve |
| B11 | 2 | Screw | B44 | 2 | Spring washer | B78 | 1 | Drift |
| B12 | 1 | Localiser | B45 | 2 | Screw | B82 | 2 | C-ring |
| B13 | 2 | Screw | B46 | 2 | Flat washer | B90 | 1 | Riser block |
| B14 | 2 | Cover | B47 | 3 | Screw | B91 | 1 | Shaft seat |
| B15 | 1 | Headbox Casting | B48 | 3 | Hex nut | B92 | 1 | Pin |
| B16 | 1 | Handle screw | B49 | 1 | Screw | B93 | 1 | C-ring |
| B17 | 4 | Spring washer | B50 | 4 | Screw | B94 | 2 | Screw |
| B18 | 1 | Setting Collar | B51 | 1 | Horizontal rack | B95 | 2 | Spring washer |
| B19 | 4 | Screw | B52 | 1 | Sliding table | B96 | 1 | Screw |
| B20 | 1 | Chisel Bushing | B53 | 3 | Hex nut | B97 | 1 | Screw |
| B21 | 1 | Chisel | B54 | 3 | Screw | B98 | 4 | Screw |
| B22 | 1 | Screw | B55 | 1 | Drift | B99 | 4 | Spring washer |
| B23 | 1 | Hex nuts | B57 | 1 | Gas spring | B100 | 1 | Screw |
| B24 | 1 | Drift | B58 | 2 | Hex nut | B101 | 1 | Screw |
| B25 | 1 | Base | B59 | 4 | Flat washer | B102 | 1 | Screw |
| B26 | 1 | Screw | B60 | 1 | Gear | B103 | 1 | Spring washer |
| B27 | 1 | Handle ball | B61 | 4 | Hexagon head bolt | B104 | 2 | Spring washer |
| B28 | 1 | Gear | B62 | 1 | Screw | B105 | 2 | Hinge plate |
| B29 | 1 | Gear shaft | B63 | 1 | Washer | B106 | 4 | Screw |
| B30 | 1 | Handle level | B64 | 2 | Screw | B107 | 1 | Spring washer |
| B31 | 1 | Screw | B65 | 2 | Hex nut | B108 | 1 | Flat washer |
| B32 | 2 | Hexagon head bolt | B66 | 1 | Drill chuck | B201 | 1 | Allen wrench |
| B33 | 1 | Handwheel | B66.1 | 1 | Chuck key | B202 | 1 | Allen wrench |
| | | | | | | B203 | 1 | Allen wrench |

2 YEAR WARRANTY

WARRANTY

- A. We warrant that this Carbatec product will be free from defects caused by faulty workmanship or faulty materials for a period of 2 years from date of sale.
- B. This warranty is in addition to other rights and remedies you may have under a law in relation to the goods.
- C. This warranty does not apply in any of the following cases:
- i. Defects arising from:
 1. fair wear and tear;
 2. corrosive atmosphere;
 3. damage or injury caused by deliberate act, lack of care or failure to comply with the recommended care and maintenance for the goods;
 4. improper use of the goods;
 5. alterations or repairs (not made by us) to the goods;
 - ii. defects arising from an event outside of our control such as fire, flood, earthquake or other natural calamity, motor vehicle or other accident, strike, civil unrest, terrorism or war;
 - iii. to accessory items such as after-market jigs, accessories or other items which are not sold or serviced by us and which are not sold with or were not included with the main unit purchased; or
 - iv. to wearable parts such as drive belts/shafts, bearings, bandsaw tyres, motor brushes, blades or abrasive belts/discs or other cutting or machining implements.
 - v. damage caused to any electrical component, where connected to a power supply outside the country for which it was designed (namely Australia or New Zealand).
- D. If this warranty applies and you have complied with the procedure below for making a claim, we will, at our election, either repair the goods (or those parts of the goods recognised as defective) or will provide a replacement within a reasonable time at our expense.
- E. If this warranty applies, the procedure for making a claim is:
- i. you must contact us by email;
 - ii. you must include in the email the following information:
 1. a copy of the order or receipt for the goods;
 2. the serial or batch number printed on the machinery manufacturing plate; and
 3. a detailed description of the fault and how and when it arose; and
 4. If the fault is a type covered by this warranty, we will then make arrangements with you for the return of the goods to us (for repair or replacement) at our cost using our transport providers or we may decide to attend at your premises to repair or replace the goods.
- F. Our liability (and that of our resellers) under this warranty is wholly limited to repair or replacement of the goods (or those parts of the goods recognised as defective) in accordance with the procedure above and you have no right to other compensation, costs or damages under this warranty. But this does not mean that you may not have other rights under a law in relation to the goods.
- G. If following our inspection of goods returned by you under this warranty it is found that this warranty does not apply and you are not otherwise entitled to repair or replacement by us, you must, if requested by us, reimburse our costs including parts, labour and freight.
- H. This warranty is not transferable and only the person who purchased the goods may make a claim.

Where the goods have been exported outside Australia or New Zealand, the Company may not require the Purchaser to return any allegedly faulty or defective Product for evaluation. However, the Company has the right to request the return for evaluation at purchasers cost.

STATUTORY NOTICE

Our goods come with guarantees that cannot be excluded under the Australian Consumer Law. You are entitled to a replacement or refund for a major failure and for compensation for any other reasonably foreseeable loss or damage. You are also entitled to have the goods repaired or replaced if the goods fail to be of acceptable quality and the failure does not amount to a major failure.



Carbatec Pty Ltd

E info@carbatec.com.au

AU: 1800 658 111

NZ: 0800 444 329

1/364 New Cleveland Rd,
Tingalpa QLD 4173,
Australia

ABN 84 010 706 242

carbatec.com.au

carbatec®

2 YEAR
WARRANTY